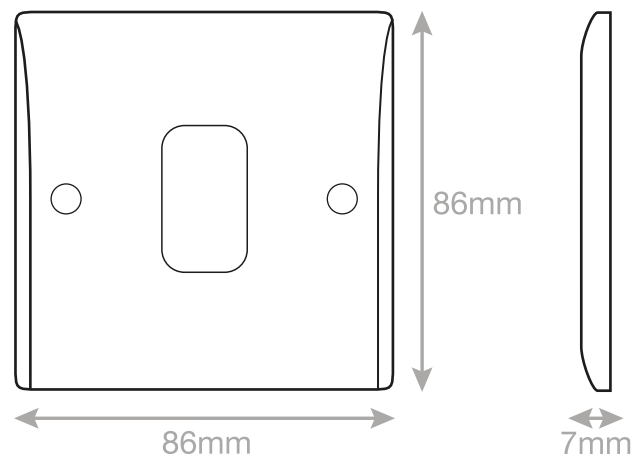


Data Sheet :

SSL611



Electrical & Lighting Products



Code	SSL611
Description	Part M - GRID360 Modular Plate - 1 Aperture
Size	86 x 86mm
Range	GRID360 / Part M
Colour	Grey
Material	Bakelite
Included	M3.5 fixing screws
Weight	0.05kg
Inner Carton Quantity	20
Inner Carton Weight	1kg
Guarantee	30 years
Barcode	5025117023747
Commodity Code	85369085
Standards	BS 5733
Notes	<ul style="list-style-type: none">• Grid 360 products offer the most versatile option for wiring accessories.• Easy to install with no need for yokes - modules screw directly into each plate.• The contrasting colours of the Part M plates and inserts help assist the visually impaired & allow easy location of the wiring accessories against the surrounding environment.