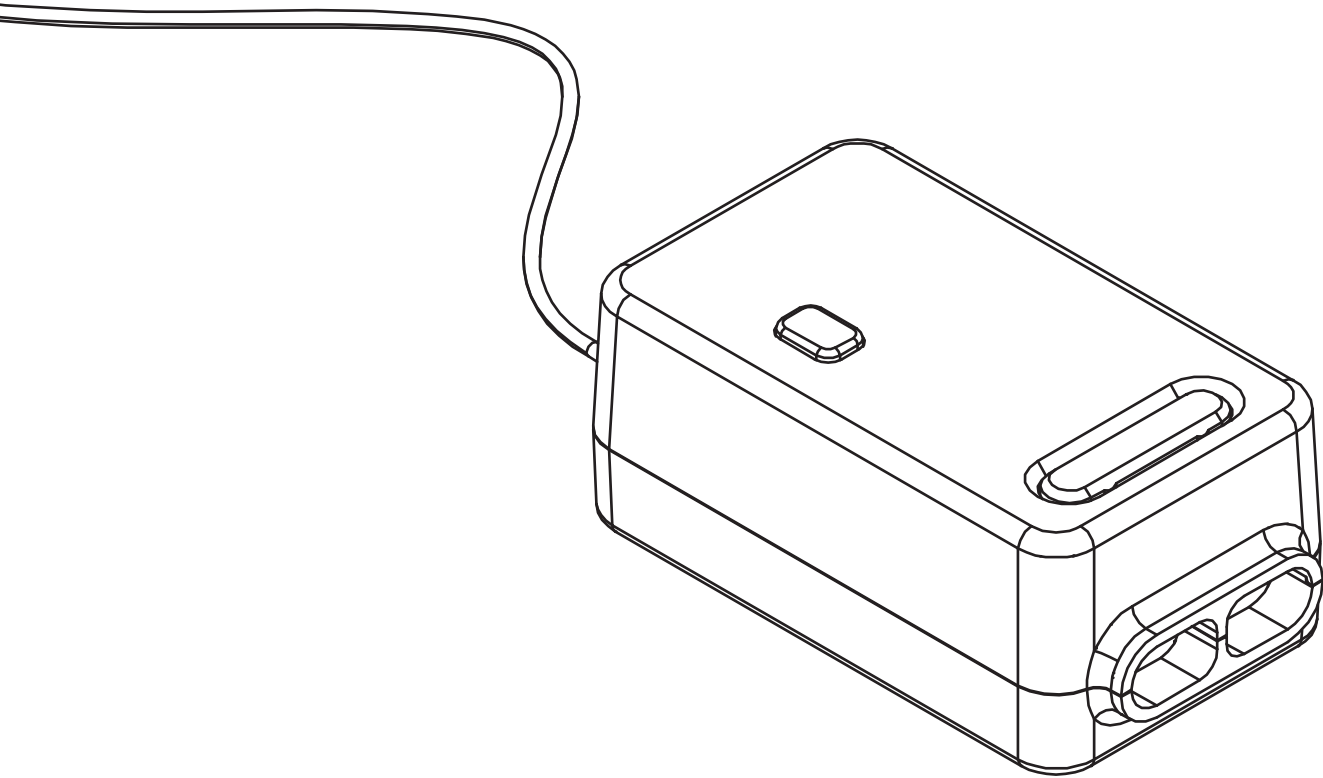




GRID360



# User Manual

for Kinetic Wall Switch On/Off Receivers

Product Range: SKIN-3

**Works with Kinetic Emergency Key Switch & Fob Switch**

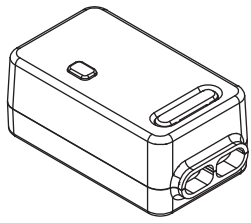
Important note: Isolate power before connecting receiver. Failure to do so can cause electric shock, fire or other hazards.

CE UK CA RoHS



v1.0.2

## A. What is in the box ?



x 1



x 1



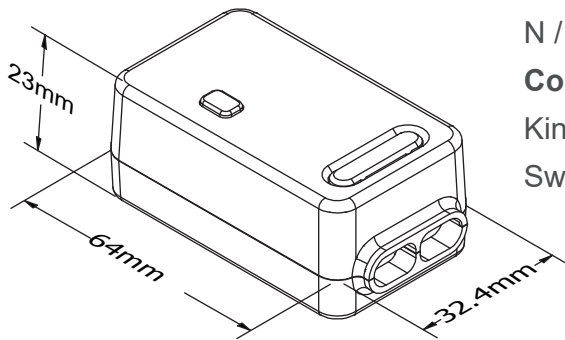
x 1



x 1

## B. Specifications

### Dimensions:



### Product Code:

SKIN-3

### Dimming:

N / A

### Compatible Switch:

Kinetic Emergency Key  
Switch & Fob Switch

### Input:

100-240V 50/60Hz 3.3A Max.

### Load:

LED 1.3A Max. Resistive 3.3A Max.

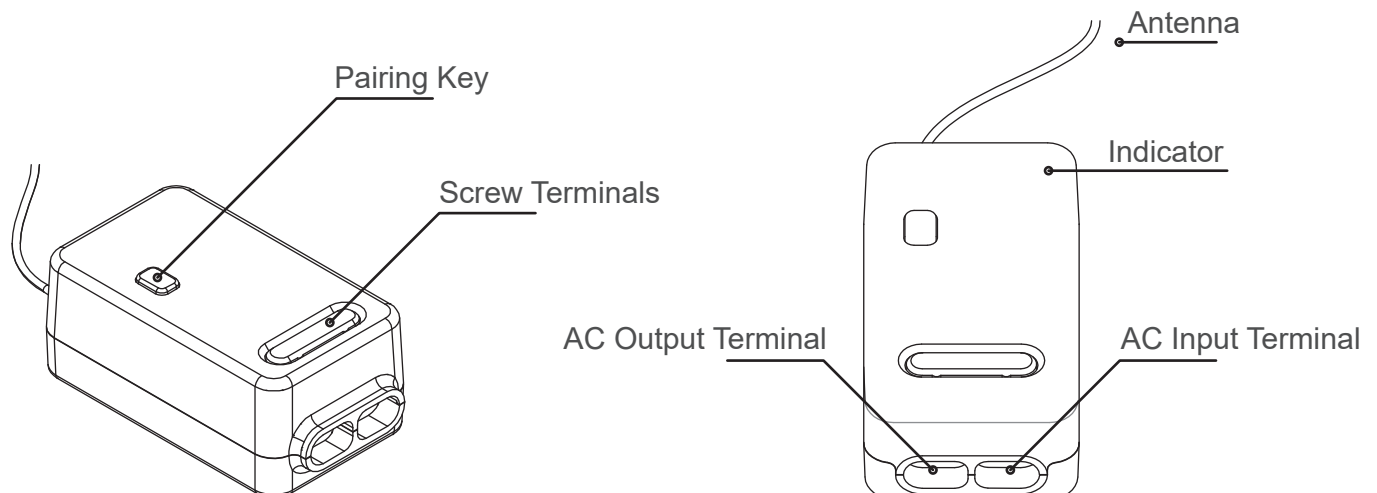
### Radio Frequency:

RF 433MHz;

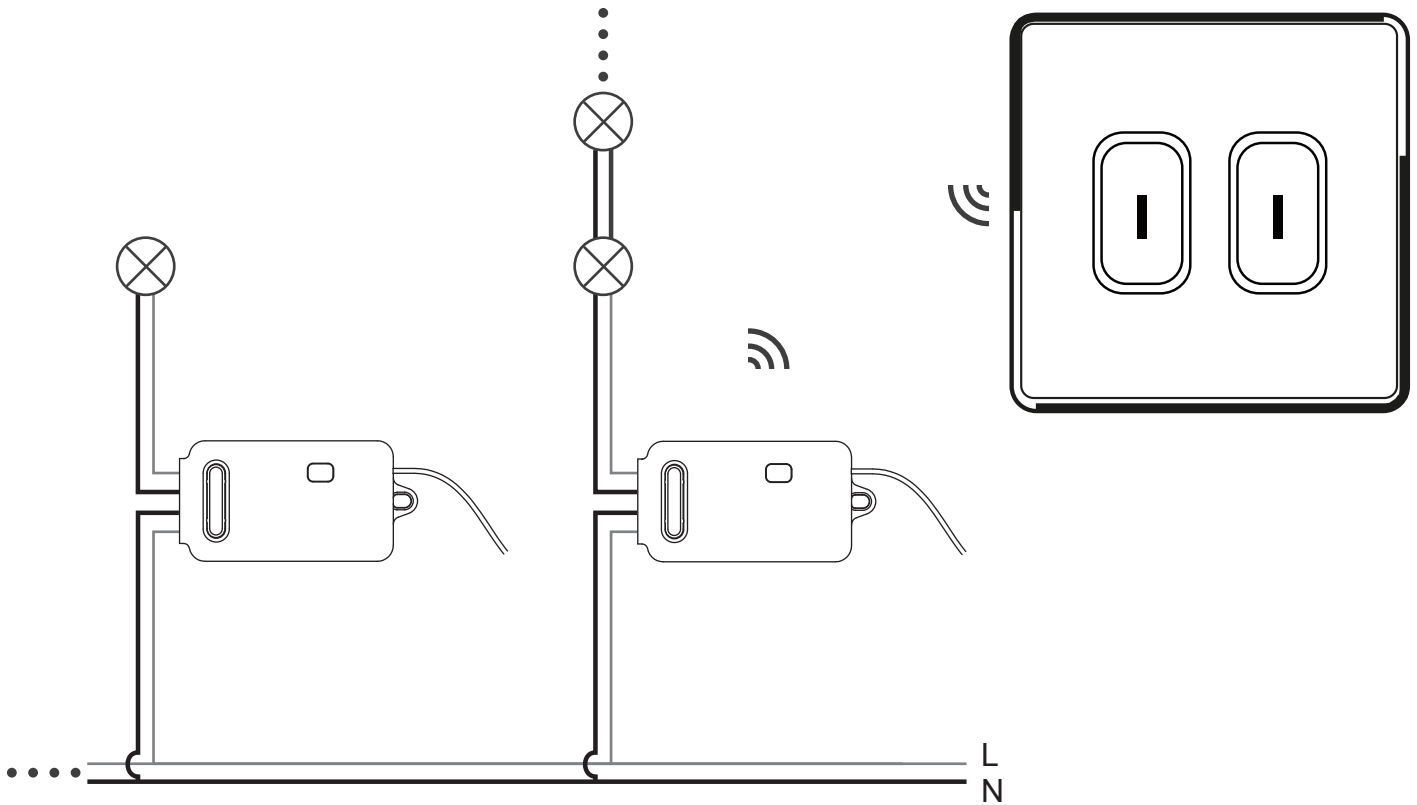
### IP Rating:

IP20; Indoor use only.

## C. Functions of parts



## D. Wiring Diagram

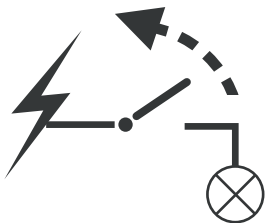


## E. Installations

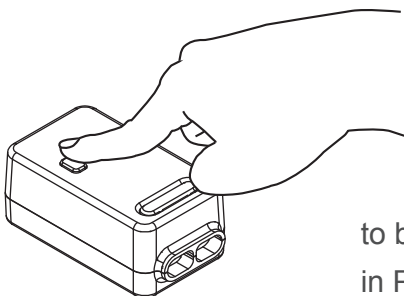
- (a) **Disconnect the mains before installation.**



Installation must be carried out by licensed electricians.

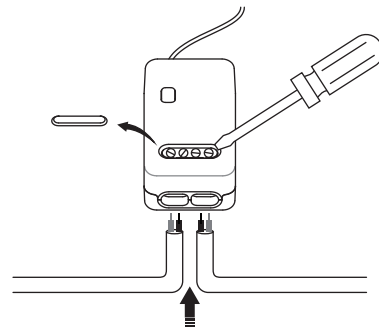


- (c) **Press the Pairing Key to pair to switches.**

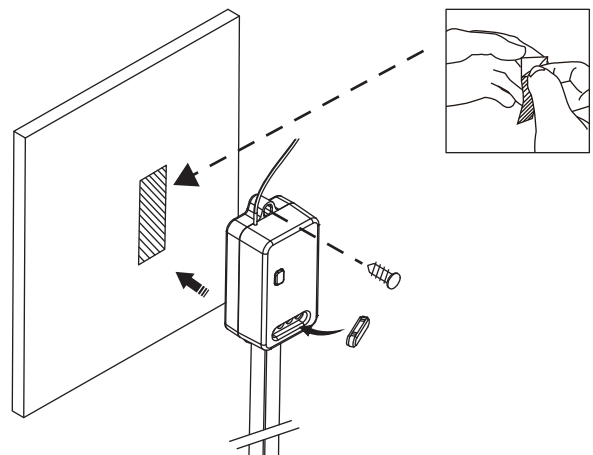


to be continued in Pairing section.

- (b) **Fix the cables to the receiver firmly.**

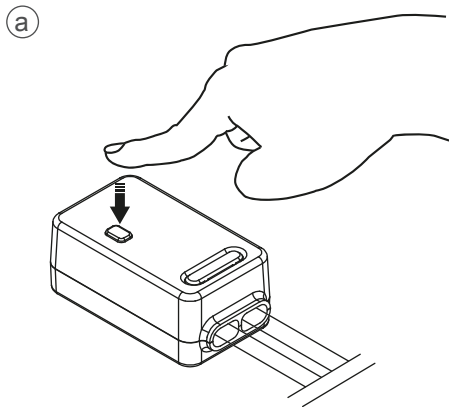


- (d) **Fix the receiver by screws or sticker provided.**

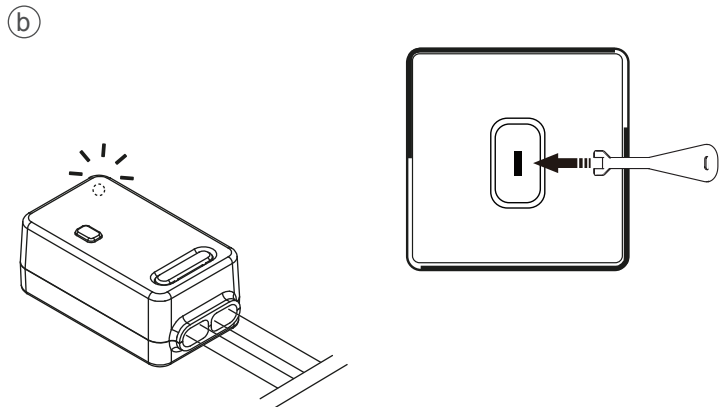


## F. Pairing with Kinetic Switch

### 1. Pairing to kinetic switch - Standard method



Press the Pairing Key for 3-4s,  
until the RED indicator flash slowly.



While the indicator on receiver flashes, press kinetic emergency key switch by using the key provided once to complete the pairing.

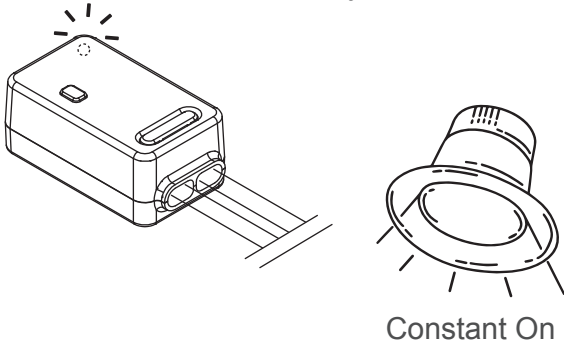
Pairing window is limited within 8s. Please pair the kinetic switch within the time frame. If missed the pairing window, please repeat this step.

## G. Pairing to Tuya App (WiFi Version)

### 1. For Tuya App Pairing

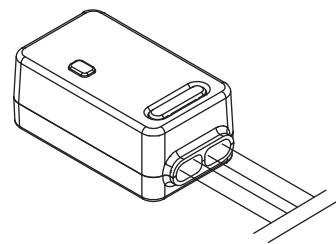
Note: Tuya App pairing available from the time of powering up the receiver.

(a) BLUE Indicator continuously flashes.

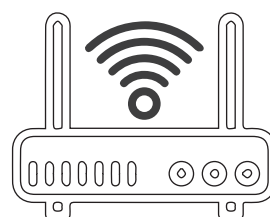


Download Tuya Smartlife App to process:

(b) Successful pairing stops the BLUE flash.



Please note, 5G Router is NOT compatible.

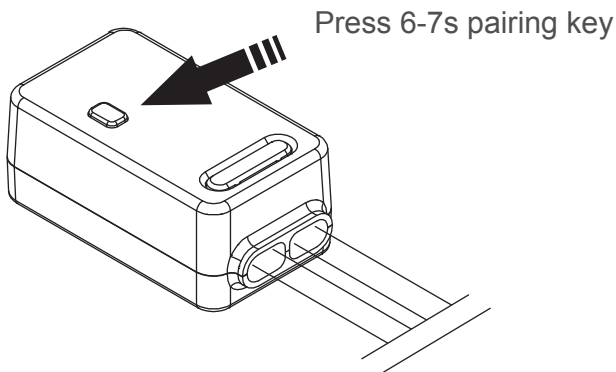


**WiFi** 2.4G

## H. Un-pairing

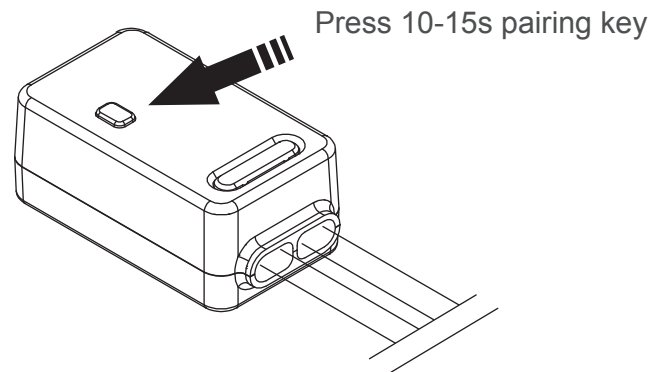
### (a) Kinetic Switch

Un-pairing from receiver

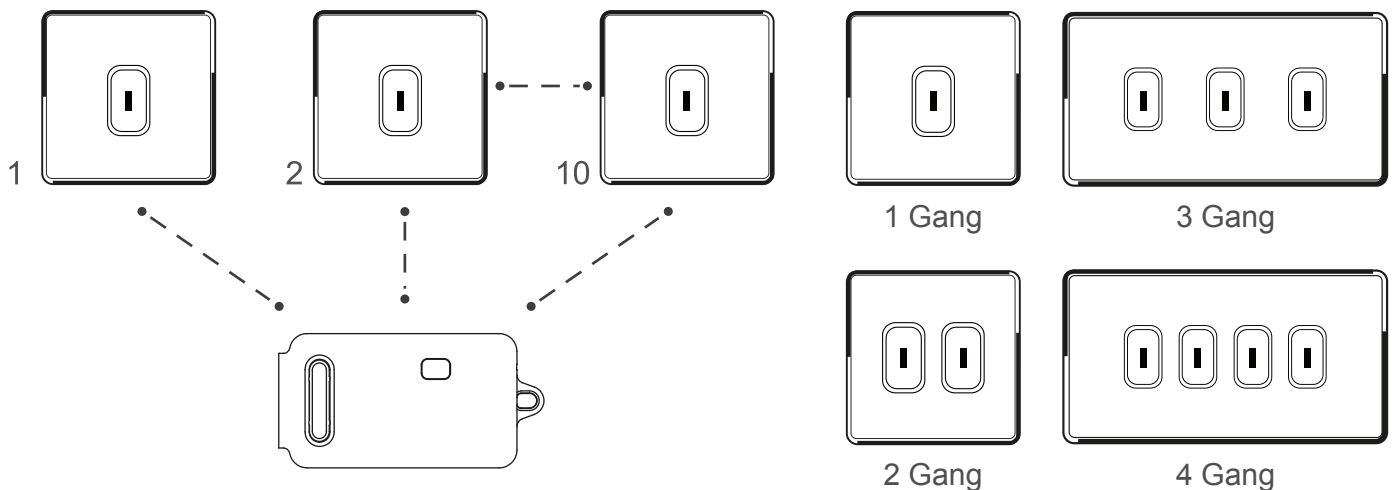


### (b) Tuya App

Un-pairing from Tuya App



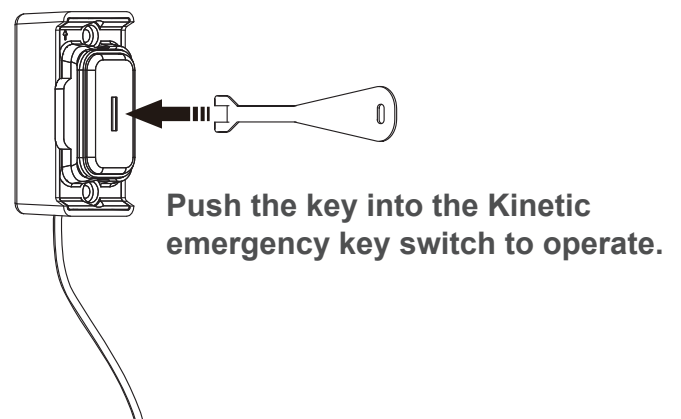
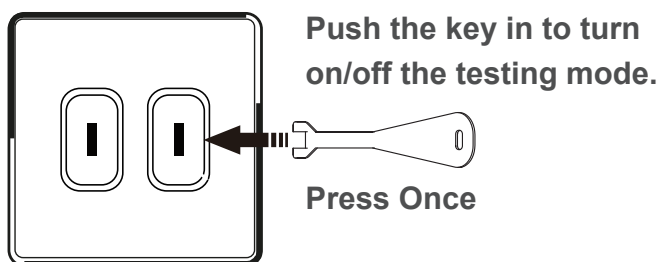
## I. Pairing Limitations



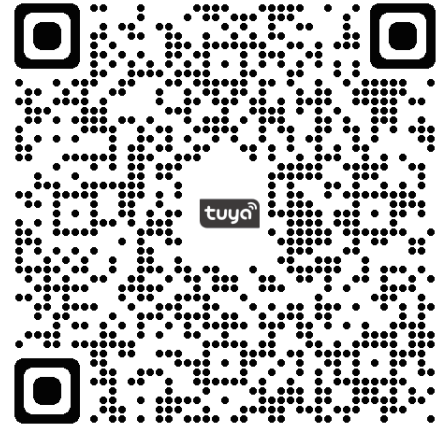
**Max. 10 Kinetic Switches to pair ONE On / Off Receiver.**

To avoid sync problem, we DO NOT suggest to pair multiple On / Off receivers to one or multiple Kinetic Switches.

## J. Control the On / Off Receiver via Kinetic Switch



## K. Control the On / Off Receiver via Tuya App



Follow Tuya App User Manual for better experience.

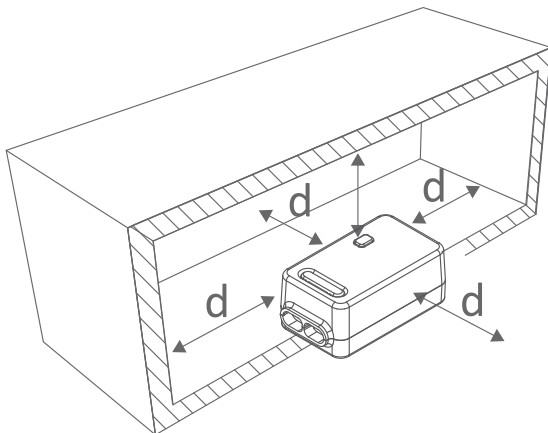
Scan the QR code to Tuya User Manual.

## L. Attention



Do not cover with insulation.

d = Min. 50mm

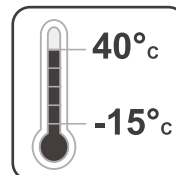
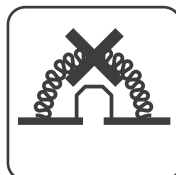
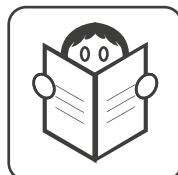


### Disposal Information

Should you want to dispose of this item please do not put it with the household waste. Used electrical and electronic equipment and batteries must be made available for separate collection. Electrical products may contain toxic materials such as lead or cadmium. Separate collection allows materials to be recovered and recycled. Private households may return their used electrical and electronic equipment to designated collection facilities free of charge. Facilities are usually available at the municipal waste site, your electrical retailer, or your local authority may provide separate collection from the household. By disposing of this product correctly you will be providing positive help to the environment.



LGA Europe Ltd,  
T/A Selectric,  
Cow Lane, Oldfield Road,  
Salford, M5 4NB, UK  
[www.selectricuk.co.uk](http://www.selectricuk.co.uk)



### SAFETY FIRST

- BEFORE STARTING ANY ELECTRICAL WORK ALWAYS SWITCH OFF AT THE MAINS
- IF IN DOUBT CONSULT A QUALIFIED ELECTRICIAN

Get Switched On