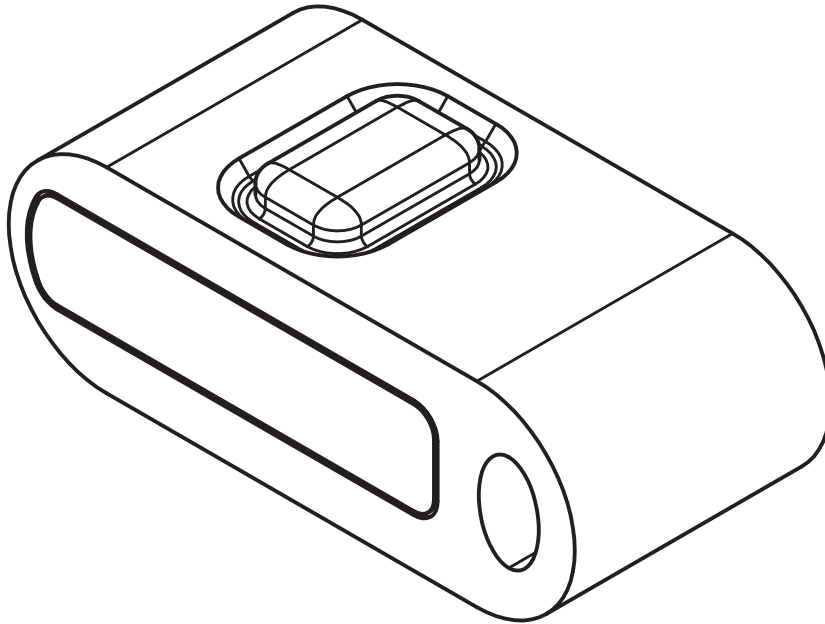




GRID360 



User Manual

for Kinetic Fob Switch

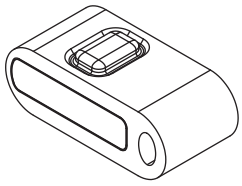
Product Range: SGRID360-533
(to work with receiver SKIN-3)

   RoHS

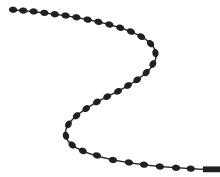


v1.0.1

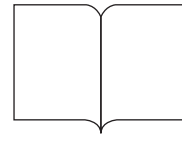
A. What is in the box ?



x 1



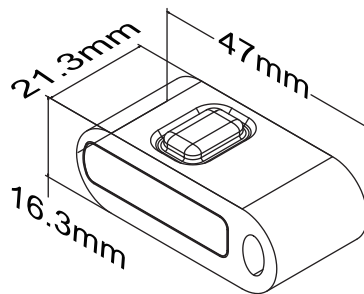
x 1



x 1

B. Specification

Dimensions:



Product Code:

SGRID360-533

Power Source:

Self-Powered (Kinetic)

Radio Frequency:

433 MHz

Switching Type:

Push Switch

Body Material:

Silicone

Compatible with : SKIN-3

Dimming Type:

N / A

IP Rating:

IP65

Transmission Range:

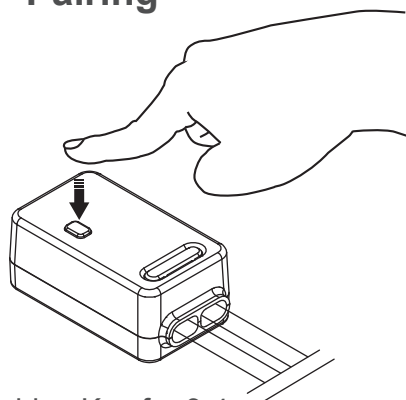
Outdoor 40m (no barrier)

Indoor 15m (plaster board; drywall)

Indoor 8m (concrete, glass walls)

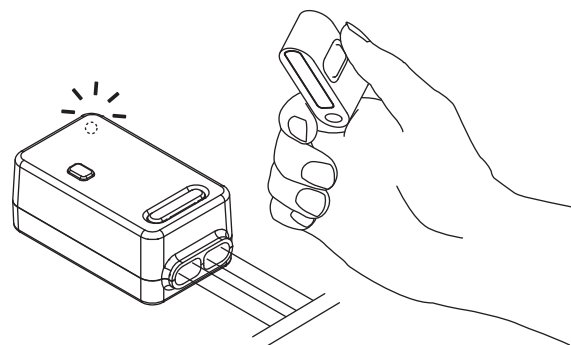
C. Pairing

1. For RF Pairing



Press the Pairing Key for 3-4s,
until the RED indicator flash slowly.

⚠ Order Controllers (On/Off) separately.



While the indicator on receiver flashes, press the
Kinetic Fob switch ONCE to complete the pairing.



Disposal Information

Should you want to dispose of this item please do not put it with the household waste. Used electrical and electronic equipment and batteries must be made available for separate collection. Electrical products may contain toxic materials such as lead or cadmium. Separate collection allows materials to be recovered and recycled. Private households may return their used electrical and electronic equipment to designated collection facilities free of charge. Facilities are usually available at the municipal waste site, your electrical retailer, or your local authority may provide separate collection from the household. By disposing of this product correctly you will be providing positive help to the environment.



LGA Europe Ltd,
T/A Selectric,
Cow Lane, Oldfield Road,
Salford, M5 4NB, UK
www.selectricuk.co.uk

SAFETY FIRST

- BEFORE STARTING ANY ELECTRICAL WORK ALWAYS SWITCH OFF AT THE MAINS
- IF IN DOUBT CONSULT A QUALIFIED ELECTRICIAN

Get Switched On