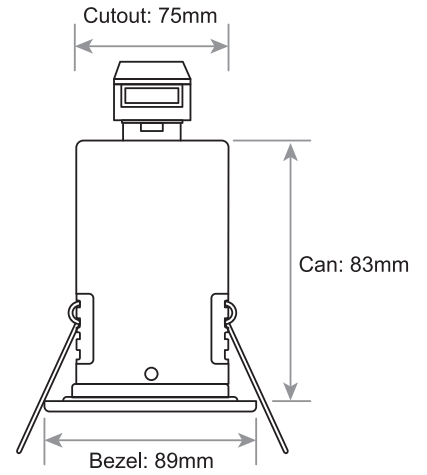
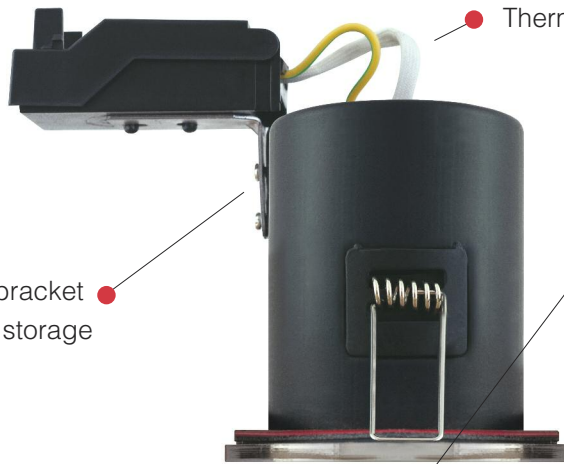


PUSHGLO-21



Code	PUSHGLO-21
Description	IP20 die-cast GU10 240V downlighter (fixed head)
Cutout Size & Void	Cut out size: 75mm diameter • Min. ceiling void depth - 120mm
Range	Selectric PushGlo Fire and Acoustic Protected Die Cast and Pressed Steel Downlighters
Colour	Antique brass
Material	Iron body & die-cast aluminium bezel
Included	Instructions
Inner Carton Quantity	1
Weight	0.247kg
Inner Carton Weight	0.3kg
Outer Carton Quantity	20
Outer Carton Weight	6kg
Warranty	3 Years
Barcode	5025117024096
Commodity Code	9405100000
Standards	EN 55015:2013+A1:2015, EN 61547:2009, EN 61000-3-2:2014 EN 61000-3-3:2013 Fire test: BS 476-21:1987
Notes	<ul style="list-style-type: none"> • Replace failed lamps immediately • Luminaire suitable for 30, 60 & 90 minutes fire rated timber ceilings & suspended ceilings • Max lamp wattage: 50W • Voltage: 240V



Thermal Sleeve for wire protection

GU10 lamp recommended (not included)
LED compatible. Max: 50W
Max lamp dimensions: 50 x 55mm

Removable bracket for compact storage

Ventilating holes and space inside steel housing for optimum lamp operation temperatures

Intumescent Disc to prevent fire

Push Connectors for fast & efficient installation



Spring Fixing Arms ensure the fitting is secure



Intumescent Pad to prevent fire

Lamp Wattage	Max 50 Watt
Lamp Position	Fixed
Input	220V-240V
Hertz	50Hz
Operating Temp	-20°C-40°C
Protection Class / IP Rating	IP20
Built-in/Flush Mounting?	Yes
Beam Angle	120°
Bezel Type	Twist & Lock