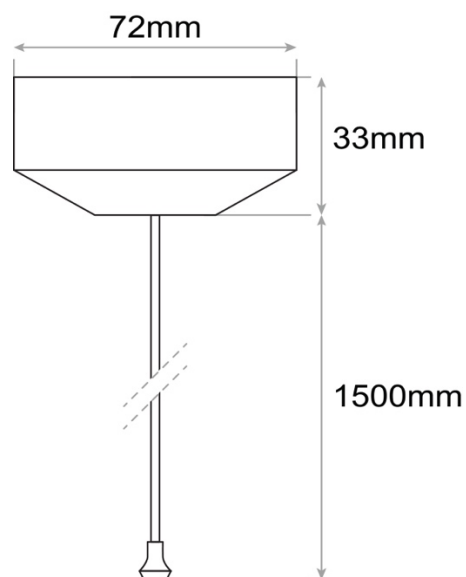


Data Sheet:
LG9495



Code:	LG9495
Description:	10 Amp X-Rated 2 Way Decorative Pull Cord Switch
Range:	Selectric Square
Colour:	Polished chrome
Ingress Protection:	IP20
Material:	Polycarbonate & iron
Included:	Instructions
Weight:	0.093kg
Inner Carton Quantity:	50
Inner Carton Weight:	4.65kg
Guarantee:	5 years
Barcode:	5025117024201
Commodity Code:	9405 1140 90
Standards:	BS EN 60669-1
Packaging:	Poly Bag with Euro Slot
Notes:	<ul style="list-style-type: none"> • 72mm Diameter • Cord length is approx. 1.5 metres • Cord length is adjustable



Selectric reserves the right to withdraw, improve, or modify any design without prior notification.
 Selectric cannot be held responsible for the incorrect application / installation of any product.