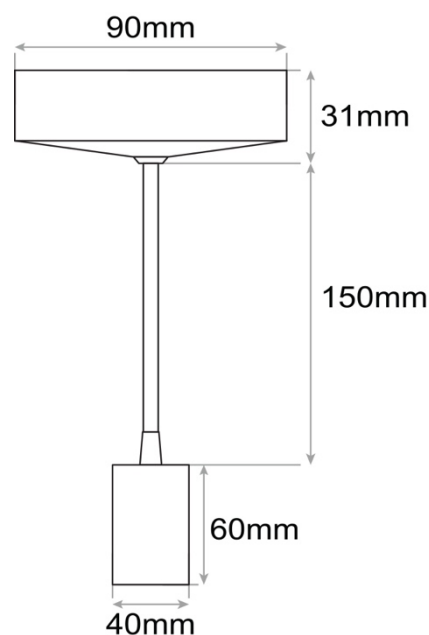


Data Sheet:
LG1831



Code:	LG1831
Description:	6" E27 4 Amp Decorative Contemporary Pendant Set
Range:	Selectric Square
Colour:	Polished chrome
Ingress Protection:	IP20
Material:	Polycarbonate & iron
Included:	Instructions & wall fixings
Weight:	0.173kg
Inner Carton Quantity:	50
Inner Carton Weight:	8.65kg
Guarantee:	5 years
Barcode:	5025117026564
Commodity Code:	9405 1140 90
Standards:	BS EN 55015, BS EN BS EN 60598-2-1, 60598-1, BS EN 61547, BS EN 61000, BS EN 62493
Packaging:	Box
Notes:	<ul style="list-style-type: none"> • E27 fitting • 6" drop • Class II • Prewired to reduce installation time • Load: 100W max. • Fabric cord flex



Selectric reserves the right to withdraw, improve, or modify any design without prior notification.
 Selectric cannot be held responsible for the incorrect application / installation of any product.