

GRID360

User Manual

for GRID360 Emergency Key
Kinetic Switches

to work with Receivers

SKIN-3

UK
CA

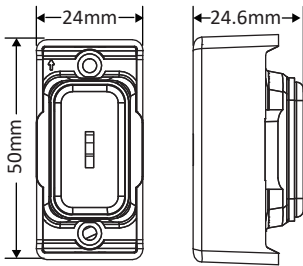


CE RoHS



A. Specifications

Dimensions:



Power Source:

Self Powered (Kinetic)

Radio Frequency:

433 MHz

Switching Type:

push on / off - emergency
key switch (key tool inc.)

IP Rating:

IP42

Body Material:

Polycarbonate

Weight:

27g

Transmission Range:

Outdoor 100m (no barrier)

Indoor 30m (plaster board; drywall)

Indoor 15m (concrete, glass walls)

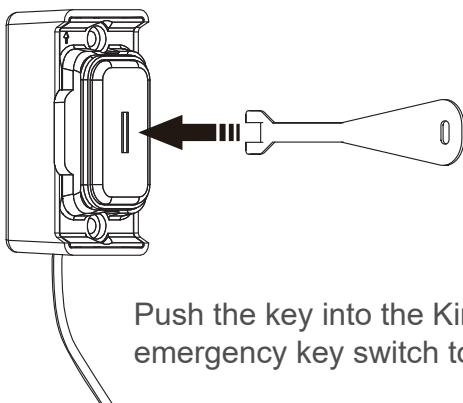
(Range may vary depending on
surrounding situation)

Compatible with Receiver SKIN-3.

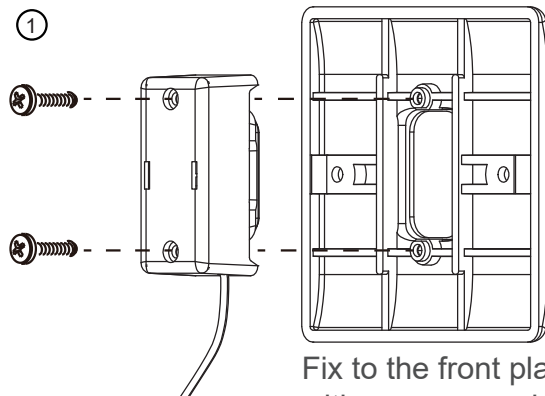


Installing on or close to metal surfaces will decrease the transmission range significantly. It is suggested to keep at least 1m away from metal surfaces to achieve the best performance..

B. Operation & Installations

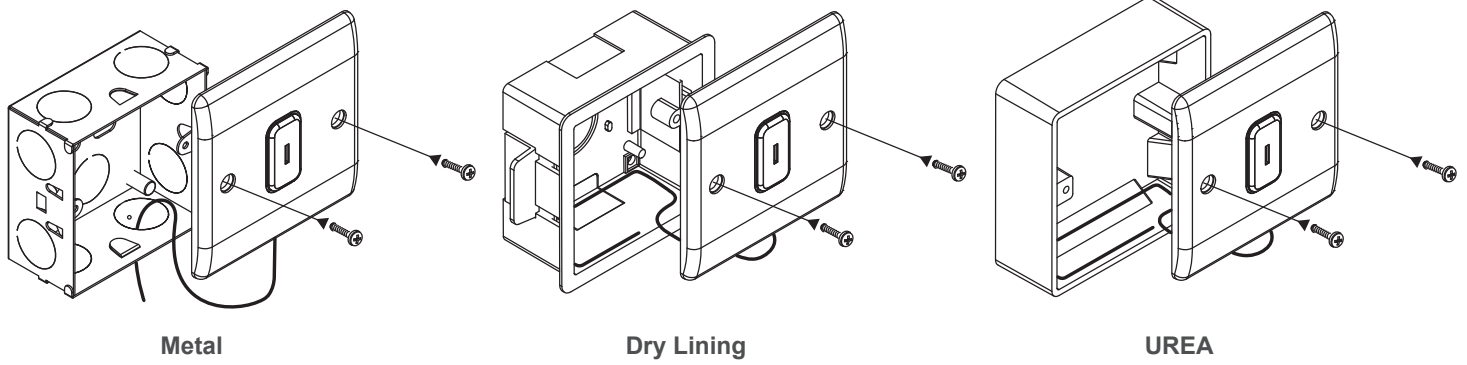


Push the key into the Kinetic
emergency key switch to operate.



Fix to the front plate (order sperately)
with screws provided.

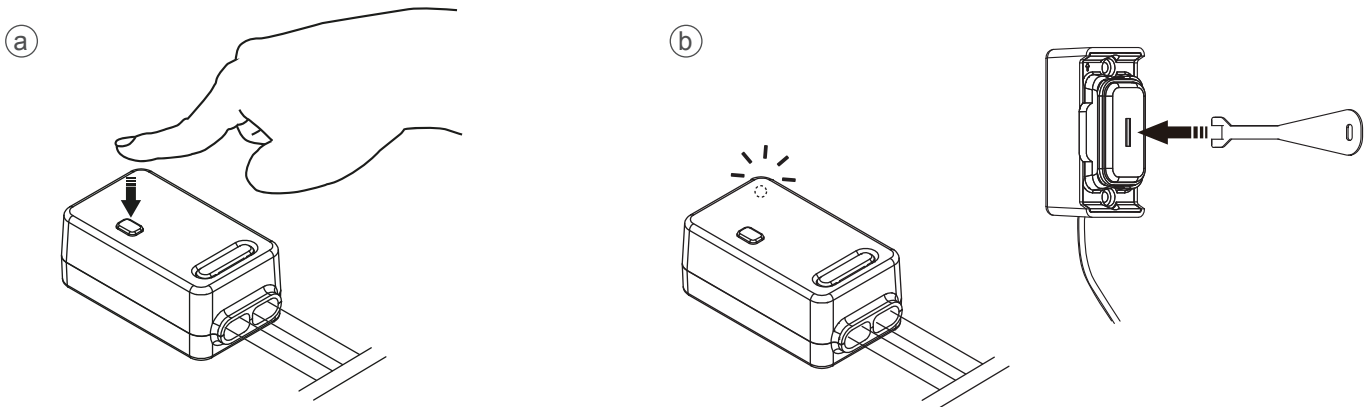
② Antenna Arrangement Suggestion



 To improve transmission range when a metal back box is used, the antenna could be mounted outside the box.

C. Pairing with Receiver

Pairing to Receiver - Standard method



Press the Pairing Key for 3-4s,
until the RED indicator flash slowly.

While the indicator on receiver flashes, press kinetic
emergency key switch by using the key provided once
to complete the pairing.

Pairing window is limited within 8s. Please pair the kinetic switch within the time frame.

If you have missed the pairing window, please repeat this step.

Disposal Information

Should you want to dispose of this item please do not put it with the household waste. Used electrical and electronic equipment and batteries must be made available for separate collection. Electrical products may contain toxic materials such as lead or cadmium. Separate collection allows materials to be recovered and recycled. Private households may return their used electrical and electronic equipment to designated collection facilities free of charge. Facilities are usually available at the municipal waste site, your electrical retailer, or your local authority may provide separate collection from the household. By disposing of this product correctly you will be providing positive help to the environment.



LGA Europe Ltd,
T/A Selectric,
Cow Lane, Oldfield Road,
Salford, M5 4NB, UK
www.selectricuk.co.uk

SAFETY FIRST

- BEFORE STARTING ANY ELECTRICAL WORK ALWAYS SWITCH OFF AT THE MAINS
- IF IN DOUBT CONSULT A QUALIFIED ELECTRICIAN

Get Switched On