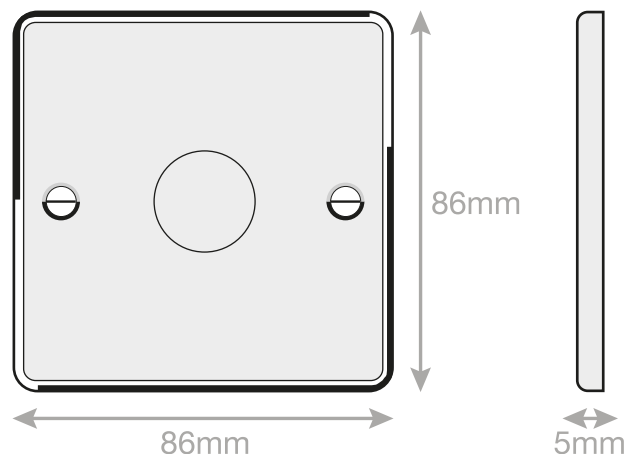


# Data Sheet : DSL664



<b>Code</b>	DSL664
<b>Description</b>	LED Dimmer - 5-100W, 1 Gang 2 Way
<b>Size</b>	86mm x 86mm x 5mm depth
<b>Range</b>	Selectric 5M
<b>Colour</b>	Antique brass with matching metal knob
<b>Material</b>	Premium grade steel
<b>Included</b>	M3.5 fixing screws & wiring instructions
<b>Weight</b>	0.16kg
<b>Inner Carton Quantity</b>	10
<b>Inner Carton Weight</b>	1.6kg
<b>Guarantee</b>	5 year guarantee
<b>Barcode</b>	5025117020753
<b>Commodity Code</b>	85369085
<b>Standards</b>	BS EN 60669-1:2018, BS EN 60669-2-1:2004+A1:2009+A12:2010
<b>Notes</b>	<ul style="list-style-type: none"> <li>• Suitable for leading &amp; trailing edge LED lamps</li> <li>• Suitable for use with up to 100W dimmable LED lamps and 150W incandescent and halogen lamps</li> <li>• Smooth dimming operation</li> <li>• The latest technology ensures there is no flickering at the maximum level</li> <li>• Empty dimmers plates also available to add your own dimmer module</li> <li>• Minimum back box size required: 35mm depth</li> </ul>