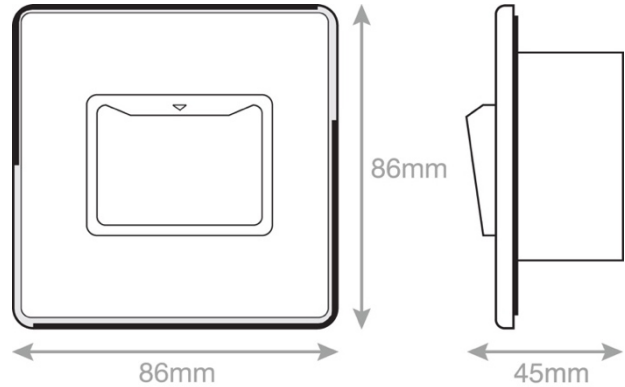


Data Sheet:
5MPLUS-784



Code:	5MPLUS-784
Description:	Hotel Key Cards - 32A 1 Gang Key Card Switch
Range:	Selectric 5M-PLUS
Colour:	Satin Chrome, White Insert
Ingress Protection:	IP20
Material:	Premium grade steel
Included:	M3.5 fixing Screws & wiring instructions
Weight:	1.97 kg
Inner Carton Quantity:	10
Inner Carton Weight:	19.7 g
Guarantee:	2 year guarantee
Barcode:	5025117024133
Commodity Code:	8536 508090
Standards:	BS EN 60669
Packaging:	PP5 Poly Bag with Euro Slot
Notes:	<ul style="list-style-type: none"> • To activate power and lighting in hotel rooms via a key card • Backlit for operation in the dark • Suitable for standard cards and credit cards 85.60mm × 53.98 mm • Minimum mounting box 47mm



Selectric reserves the right to withdraw, improve, or modify any design without prior notification.
 Selectric cannot be held responsible for the incorrect application / installation of any product.