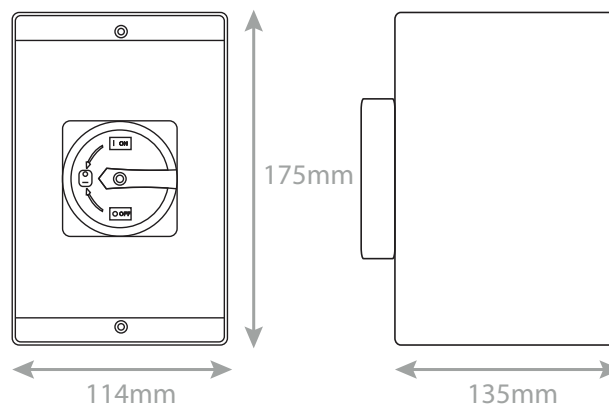


Data Sheet : SSRI-40A



Code	SSRI-40A
Description	IP65 Rated 40 Amp / 18.5kW Weatherproof Rotary Isolator Switch - 4 Pole - 415V - Grey
Size	114mm (W) x 175mm (H) x 135mm (D)
Range	Selectric Seal - IP65 to IP68 Rated Accessories
Colour	Grey, yellow & red
Knockouts?	2 top + 2 bottom knock-out (20mm or 25mm) + 2 x rear knock-outs - 20mm
Wall Mountable?	Yes
Lockable?	Lockable in OFF position
Amps / kW	40 Amp - 18.5kW
IP Rating	IP65
Included	Instructions
Weight	0.77kg
Inner Carton Quantity	1
Barcode	5025117987186
Standards	BS EN 60947-3
Notes	<ul style="list-style-type: none"> • On load switch disconnectors • Surface mounting with polycarbonate housing • The impact resistant base and cover will survive the hardest knocks in almost any installation • The two sections are sealed with a weather seal gasket • Heavy duty & weatherproof, for indoor or outdoor use • IP65 – Protected against dust that may harm equipment. Protected against water spray from all directions