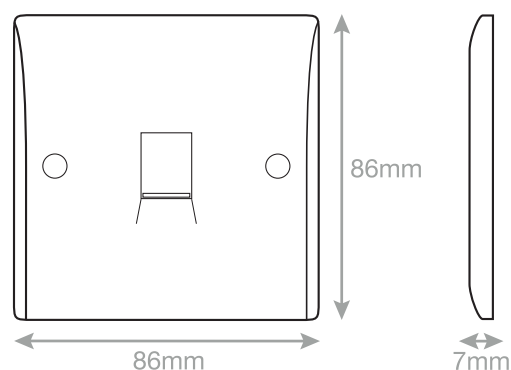


Data Sheet : SSL542



Code	SSL542
Description	1 Gang RJ45 Computer / Data Socket
Size	86mm x 86mm x 7mm depth
Range	Selectric Smooth
Colour	White
Material	Bakelite
Included	M3.5 fixing screws & white blanking caps
Weight	0.06kg
Inner Carton Quantity	10
Inner Carton Weight	0.6kg
Guarantee	30 years
Barcode	5025117986424
Commodity Code	85369085
Standards	BS 6312-2-2 & BS EN 50173-1
Notes	<ul style="list-style-type: none">• Used to connect computers onto Ethernet-based LAN (Local Area Network)• RJ45: 8P8C = 8 Position 8 Contact• Modular and Euro Media products available within the range• Minimum back box size required: 35mm depth