

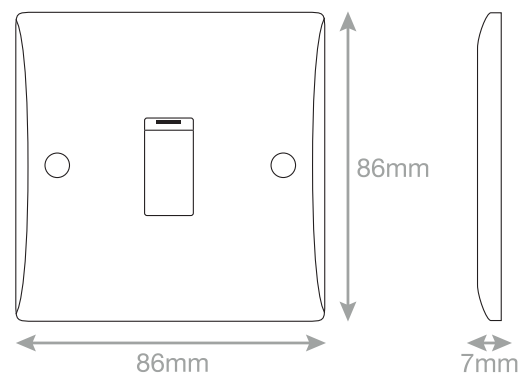
Data Sheet : SSL515



Intertek



Electrical & Lighting Products



Code	SSL515
Description	20 Amp DP Switch
Size	86mm x 86mm x 7mm depth
Range	Selectric Smooth
Colour	White
Material	Bakelite
Included	M3.5 fixing screws & white blanking caps
Weight	0.14kg
Inner Carton Quantity	10
Inner Carton Weight	1.4kg
Guarantee	30 years
Barcode	5025117986158
Commodity Code	85369085
Standards	BS EN 60669-1
Notes	<ul style="list-style-type: none">• ASTA approved• For use with equipment such water heaters• Optional cable outlet located on inside of face plate• Modular and Euro Media products available within the range• Minimum back box size required: 25mm depth