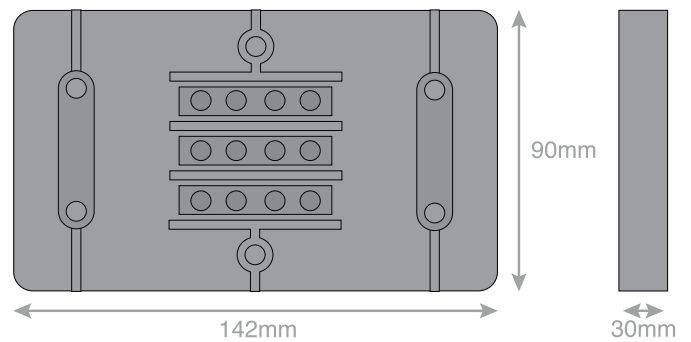


Data Sheet : LGK829B



Code	LGK829B
Description	60 Amp Junction Box 3 x 2.5mm Terminals - Brown
Size	142mm x 90mm x 30mm
Range	Selectric Square
Colour	Brown
Material	Urea body, brass Connectors
Weight	0.7kg
Inner Carton Quantity	5
Inner Carton Weight	3.5kg
Barcode	5025117999707
Commodity Code	85369085
Standards	BS 7671
Notes	<ul style="list-style-type: none"> An electrical junction box is an enclosure, housing electrical connections, to protect the connections and provide a safety barrier. It is used mostly in ceilings, under floors or concealed behind an access panel – particularly in domestic or commercial buildings