

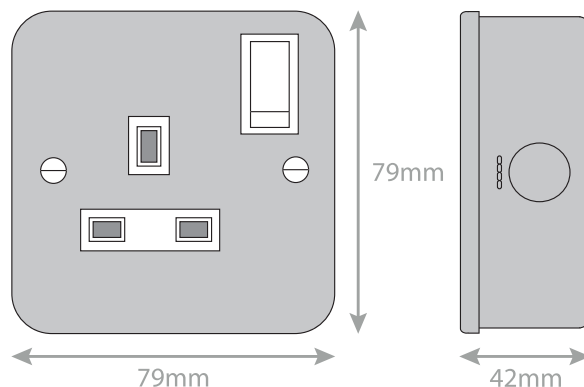
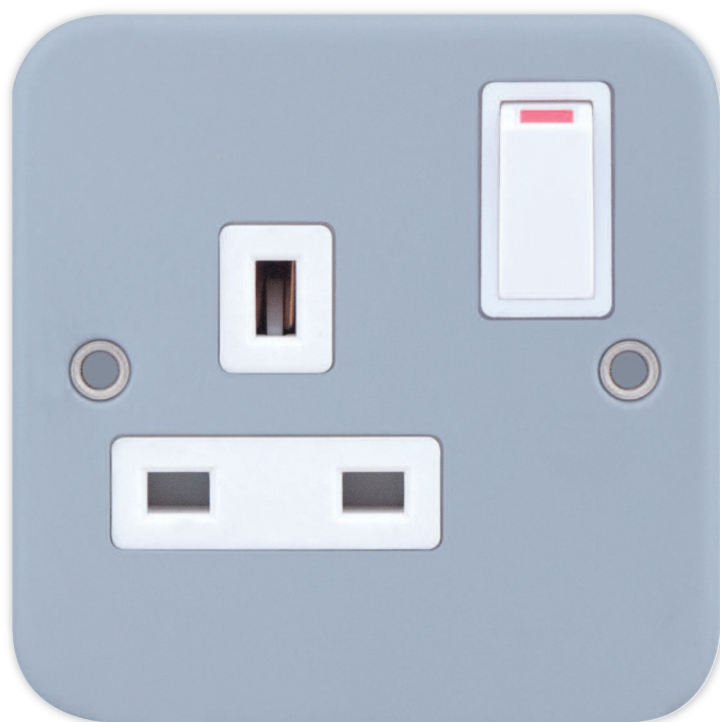
Data Sheet : LG9097MB



Intertek



Electrical & Lighting Products



Code	LG9097MB
Description	1 Gang 13 Amp Socket DP - Switched
Size	79mm x 79mm x 42mm depth
Range	Selectric Metal Clad
Colour	Grey with white insert
Material	High grade steel with aluminium epoxy powder coating
Included	Back box & M3.5 fixing screws
Weight	0.3kg
Inner Carton Quantity	10
Inner Carton Weight	3kg
Guarantee	15 years
Barcode	5025117994399
Commodity Code	8539 319090
Standards	BS 1363-2
Notes	<ul style="list-style-type: none"> • Asta approved • Power socket for standard UK 3 pin plug • Modular and Euro Media products available within the range • Surface mounting box included