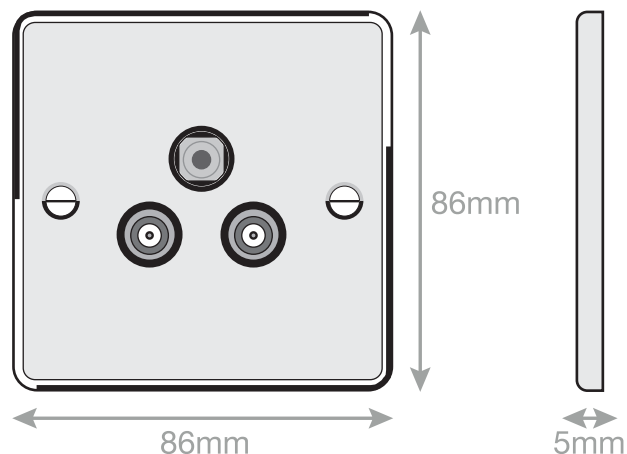


Data Sheet : DSL837



Code	DSL837
Description	1 Gang F-Type Satellite Socket + 2 Gang TV/FM Coaxial/Aerial Socket – Isolated
Size	86mm x 86mm x 5mm depth
Range	Selectric 5M
Colour	Satin brass with black insert
Material	Premium grade steel
Included	M3.5 fixing screws & wiring instructions
Weight	0.17kg
Inner Carton Quantity	10
Inner Carton Weight	1.7kg
Guarantee	5 year plate guarantee
Barcode	5025117978375
Commodity Code	85369085
Standards	BS 3041-7
Notes	<ul style="list-style-type: none"> • Suitable for use with – VHF/UHF & Cable TV signals • An isolated socket lets the signal through from the aerial/satellite dish but does not allow any kind of return signal/current. The isolated socket blocks interference from receivers (televisions, digital boxes, satellite boxes) which spoils the signal • Modular and Euro Media products available within the range • Minimum back box size required: 25mm depth