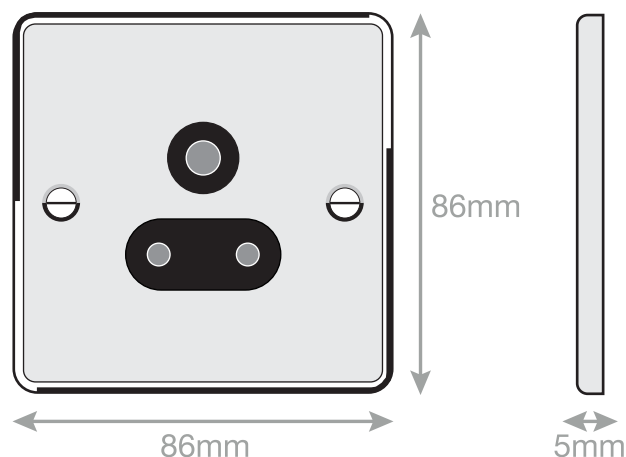
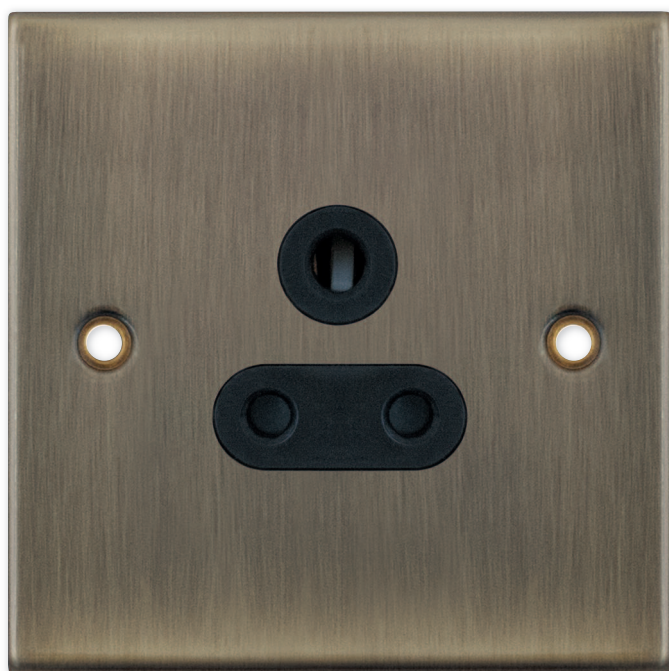


Data Sheet : DSL626



Code	DSL626
Description	5 Amp Round Pin Socket Outlet with Shutters - 3 Pin - Unswitched
Size	86mm x 86mm x 5mm depth
Range	Selectric 5M
Colour	Antique brass with black insert
Material	Premium grade steel
Included	M3.5 fixing screws & wiring instructions
Weight	0.14kg
Inner Carton Quantity	10
Inner Carton Weight	1.4kg
Guarantee	5 year plate guarantee
Barcode	5025117976265
Commodity Code	85369085
Standards	BS 546
Notes	<ul style="list-style-type: none">• Power socket for 5A 3 pin plug• Modular and Euro Media products available within the range• Minimum back box size required: 25mm depth