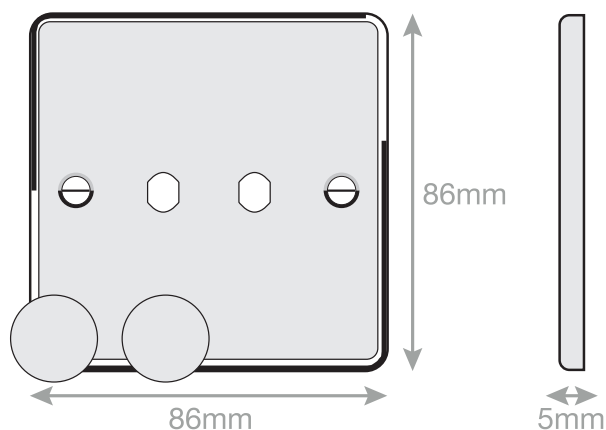
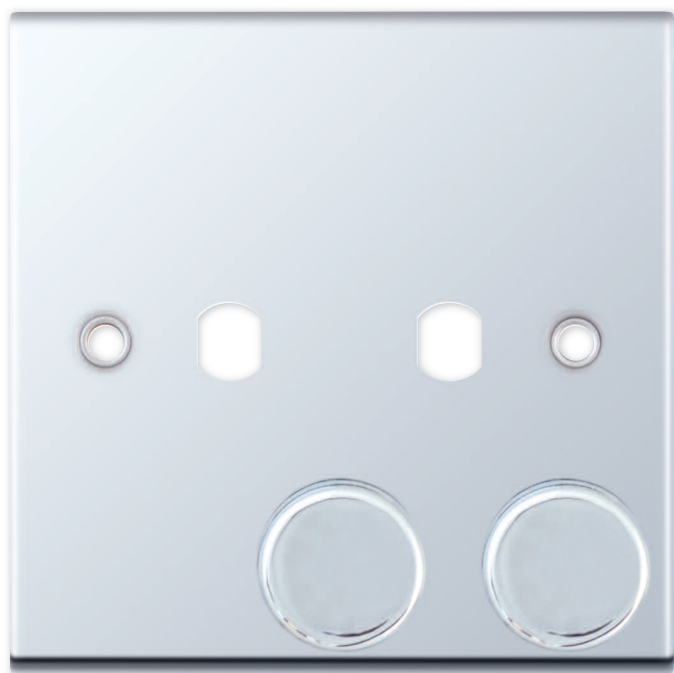


Data Sheet : DSL371



Code	DSL371
Description	Empty Dimmer Plate - 2 Aperture Plate with Knobs
Size	86mm x 86mm x 5mm depth
Range	Selectric 5M
Colour	Polished chrome with matching metal knobs
Material	Premium grade steel
Included	Fixing screws, nuts, washers & matching knobs
Weight	0.1kg
Inner Carton Quantity	10
Inner Carton Weight	1.1kg
Guarantee	5 years
Barcode	5025117006818
Commodity Code	85369085
Standards	BS 5733
Notes	<ul style="list-style-type: none">• Compatible with most dimmer modules• Modular and Euro Media products available within the range• Minimum back box size required: 25mm depth